



***Facility Study
For
Generation Interconnection
Request
GEN-2008-019***

SPP Tariff Studies

(#GEN-2008-019)

January 2010

Summary

Oklahoma Gas and Electric performed the following Study at the request of the Southwest Power Pool (SPP) for Generation Interconnection request Gen-2008-019. The request for interconnection was placed with SPP in accordance SPP's Open Access Transmission Tariff, which covers new generation interconnections on SPP's transmission system.

Pursuant to the tariff, Oklahoma Gas and Electric was asked to perform a detailed Facility Study of the generation interconnection request to satisfy the Facility Study Agreement executed by the requesting customer and SPP.

Interconnection Customer Interconnection Facilities

The Interconnection Customer will be responsible for the 345kV transmission line from the point of interconnection to its 345/34.5kV substation that will contain its 345/34.5kV transformer(s) and wind turbine collector feeders. In addition, the Customer will be required to maintain a +/- 98% power factor at the point of interconnection (OG&E Tatonga 345kV substation).

The Customer has requested and is planning to install Mitsubishi 2.3 MW wind turbines at the GEN-2008-019 facility. Due to the limitations of the Mitsubishi wind turbines to provide reactive power at its maximum capability during all situations, the Interconnection Customer may be required to install additional capacitor banks as discussed in the Impact Study in order to meet this requirement. The size of the capacitor banks will need to be determined by the Customer as part of its detailed collector system design for its facility.

Transmission Owner Interconnection Facilities and Non Shared Network Upgrades

Per the following Facility Study, the Interconnection Customer is responsible for \$1,099,958 of Transmission Owner Interconnection Facilities and \$1,973,375 of non shared Network Upgrades.

Shared Network Upgrades

The GEN-2008-019 Interconnection Customer is included in the 1st Cluster Study approved in FERC Docket #ER09-262. The Interconnection Customer's shared upgrade costs are \$18,620,277.



FACILITY STUDY

for

Generation Interconnection Request 2008-019

300 MW Wind Generating Facility
In Dewey County
Near
Taloga, Oklahoma

December 01, 2009

Steve M. Hardebeck, PE
Lead Engineer
Transmission Planning
OG&E Electric Services

Summary

Pursuant to the tariff and at the request of the Southwest Power Pool (SPP), Oklahoma Gas and Electric (OG&E) performed the following Facility Study to satisfy the Facility Study Agreement executed by the requesting customer for SPP Generation Interconnection request Gen-2008-019. The request for interconnection was placed with SPP in accordance SPP's Open Access Transmission Tariff, which covers new generation interconnections on SPP's transmission system. The requirements for interconnection consist of adding one new 345kV breaker and a terminal in the proposed Tatonga Substation. The total cost for OKGE to add a new 345kV breaker and a terminal in the Tatonga substation, the interconnection facility, is estimated at \$3,073,333.

Table of Contents

Table of Contents	3
Introduction	4
Interconnection Facilities	5
Interconnection Costs	6
Overview of Tatonga Substation	7
One-Line diagram of Interconnection	8

Introduction

The Southwest Power Pool has requested a Facility Study for the purpose of interconnecting 300MW of wind generation within the service territory of OG&E Electric Services (OKGE) in Dewey County Oklahoma. The proposed 345kV point of interconnection is at the proposed Tatonga Substation in Dewey County. This substation is owned by OKGE. The proposed in-service date is August 01, 2011.

Power flow analysis has indicated that for the power flow cases studied, it is possible to interconnect the 300MW of generation with transmission system reinforcements within the local transmission system. Given the Point of Interconnection at a proposed substation, there are additional requirements for interconnection including bus, breaker, switches, relaying, metering, etc.

The cost for adding a new 345kV terminal to the proposed Tatonga Substation, the required interconnection facility, is estimated at \$1,099,958. Other Network Constraints in the American Electric Power West (AEPW), OKGE and Western Farmers Electric Cooperative (WFEC) systems may be verified with a transmission service request and associated studies.

Interconnection Facilities

The primary objective of this study is to identify attachment facilities. The requirements for interconnection consist of adding a new 345kV terminal in the proposed Tatonga Substation. This 345kV addition shall be constructed and maintained by OKGE. The Customer did not propose a route of its 345kV line to serve its 345-34.5kV facilities. It is assumed that obtaining all necessary right-of-way for the new OKGE 345kV substation facilities will not be a significant expense.

The total cost for OKGE to add a new 345kV terminal in the Tatonga substation, the interconnection facility, is estimated at \$1,099,958. This cost does not include building 345kV line from the Customer substation into the proposed Tatonga Substation. The Customer is responsible for this 345kV line up to the point of interconnection. This cost does not include the Customer's 345-34.5kV substation and the cost estimate should be determined by the Customer.

This Facility Study does not guarantee the availability of transmission service necessary to deliver the additional generation to any specific point inside or outside the Southwest Power Pool (SPP) transmission system. The transmission network facilities may not be adequate to deliver the additional generation output to the transmission system. If the customer requests firm transmission service under the SPP Open Access Transmission Tariff at a future date, Network Upgrades or other new construction may be required to provide the service requested under the SPP OATT.

The costs of interconnecting the facility to the OKGE transmission system are listed in Table 1.

Short Circuit Fault Duty Evaluation

It is standard practice for OG&E to recommend replacing a circuit breaker when the current through the breaker for a fault exceeds 100% of its interrupting rating with recloser de-rating applied, as determined by the ANSI/IEEE C37.5-1979, C37.010-1979 & C37.04-1979 breaker rating methods.

For this generator interconnection, no breakers were found to exceed their interrupting capability after the addition of the Customer’s 300MW generation and related facilities. OG&E found no breakers that exceeded their interrupting capabilities on their system. Therefore, there is no short circuit upgrade costs associated with the Gen-2008-019 interconnection.

Table 1: Required Interconnection Network Upgrade Facilities

Facility	ESTIMATED COST (2009 DOLLARS)
OKGE – Interconnection Facilities - Add a single 345kV line terminal to proposed Tatonga Substation. Dead end structure, line switch, line relaying, revenue metering including CTs and PTs	\$1,099,958
OKGE – Network Upgrades at Tatonga sub, 1-345kV breaker, line relaying, disconnect switches, and associated equipment	\$1,973,375
OKGE - Right-of-Way for 345kV terminal addition	No Additional ROW
Total	\$3,073,333

Prepared by Steve M. Hardebeck, PE
Lead Engineer, Transmission Planning
OG&E Electric Services

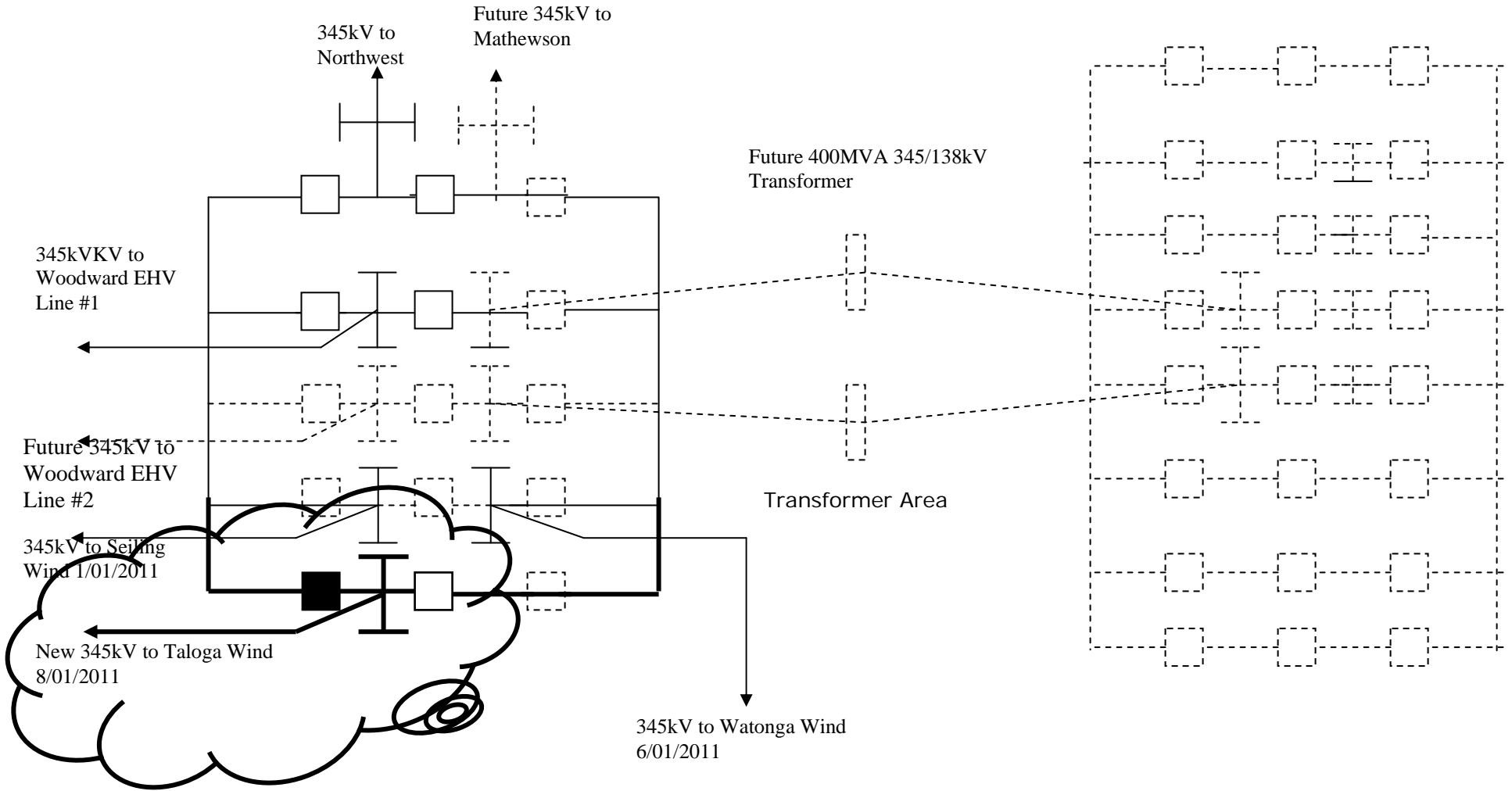
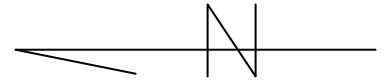
December 01, 2009

Reviewed by:

Philip L. Crissup, PE 7 December 2009

Philip L. Crissup
Director, Regional Transmission Affairs

Tatonga EHV Substation



One-Line diagram

